



The best thing that can happen to waste  
RDF-Shredder Series  
EcoLine · PowerLine · FineCut

## Tough on the waste. Kind to your balance sheet.

The future is hidden in waste: Specialists to the front! Intelligent waste disposal – for many companies an ever increasingly important factor, as efficient disposal methods are in demand more than ever before. Of great importance here is the processing of waste into substitute fuels, namely Refuse Derived Fuel (RDF). WEIMA shredding solutions achieve the decisive prerequisites to get your RDF production running, with tailor-made shredding technology for plant concepts that are oriented to the future. And with leading competence based on decades of experience – more than 20,000 shredding solutions have been so far realised worldwide by WEIMA.

### You have the requirements. We have the right solution.

It does not matter which type of waste you process, whether industrial, mixed building industry waste, bulk or household waste, whether production scrap, non-cellulose waste from papermaking, paper, wood, carpets or plastics: you get the best out of it with WEIMA. This is due to a specific solution adapted to your production requirements. You will be well equipped to face up to the increasingly tough market conditions. WEIMA shredding technology delivers the highest RDF quality and provides you with first class sales opportunities at customers such as power stations and cement producers.

### Everything that makes a RDF plant profitable.

#### Your advantages with WEIMA.

#### Highest degree of flexibility.

WEIMA is a full service provider for all processing stages with its EcoLine, PowerLine and FineCut ranges of machines. Variable equipment levels and sizes enable exact fit with every special requirement.

#### Quality made in Germany.

Perfected technology, solid construction: WEIMA shredding solutions stand for high productivity, low energy and wear costs, as well as outstanding ease of operation.

#### Innovative drive concepts.

The latest example: Compact Drive WEIMA (CDW). This patented drive ensures even higher torque to overcome friction, short reversing times, extremely low sensitivity to contaminated material and additional energy saving potential.

#### First class service.

From advice in plant planning through to the extensive technical support: we are there when you need us. Within the shortest possible reaction times!



## No point in resisting. EcoLine. The powerful shredder.

### Power that breaks everything down to size.

EcoLine can handle any type of waste, also unsorted and highly contaminated materials. Ideal as a rough secondary-shredder in multistage plants: after unsuitable material has been sorted out, the pre-shredded material can be further processed in optimum form in this machine.

### Overview of EcoLine:

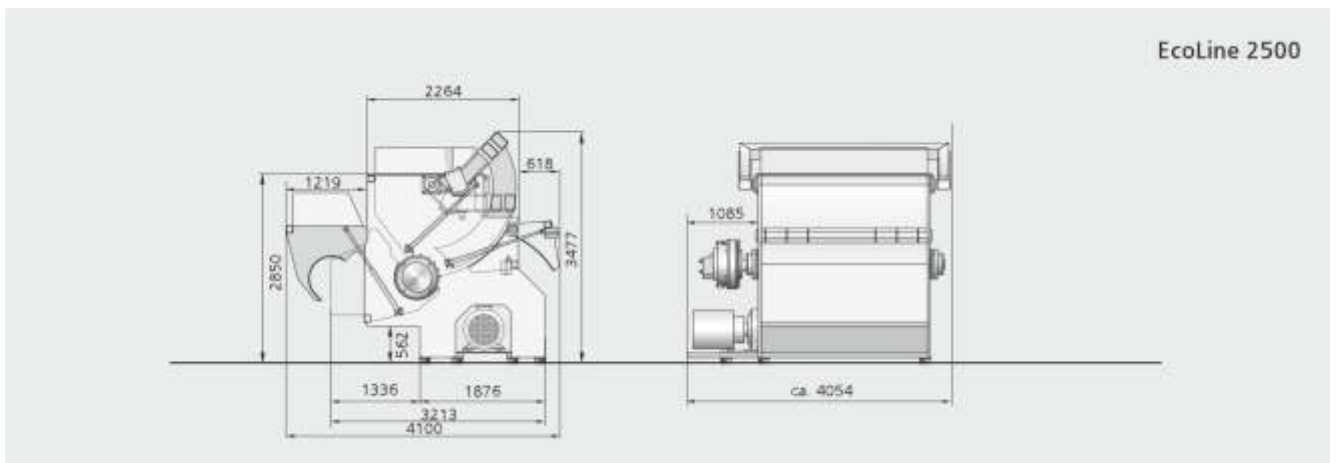
- rough secondary shredder for any type of waste
- insensitive to contaminated material
- ideal for multi-stage processing with high throughput
- feeding via wheel loader or gripper or after pre-shredder
- available with high performance HDW drive (hydraulic drive) for the toughest material requirements and highest possible throughput
- can also be used as single-stage equipment, in the event that the RDF customer provides pre-sorted material



Strong in picking up: a conveyer belt is used to feed the EcoLine.



Can handle any material: the EcoLine rotor.



The EcoLine range		WEL 2000/600	WEL 2500/600
Rotor working width	(mm):	2,000	2,500
Rotor diameter	(mm):	600	600
Performance, hydraulic drive	(kW):	132	160
Rotor speed	(rpm):	80 - 150	80 - 150
Blade type/size	(mm):	60 x 60 / 80 x 80	60 x 60 / 80 x 80
Number of blades:		46 / 115	58 / 145
Sieve perforation	(mm):	30 - 100	30 - 100
Throughput*	(kg/h):	2,000 - 6,000	3,000 - 8,000
Weight	(approx. kg):	20,000	22,000

\* depending on the material and particle size

Ready for anything. PowerLine. **The flexible universal shredder.**



**Full power for single or multiple stage shredding.**

PowerLine can be used flexibly, depending on the requirements of the material to be produced: as a high throughput secondary shredder in multi-stage processing or as a single stage solution for pre-sorted material.

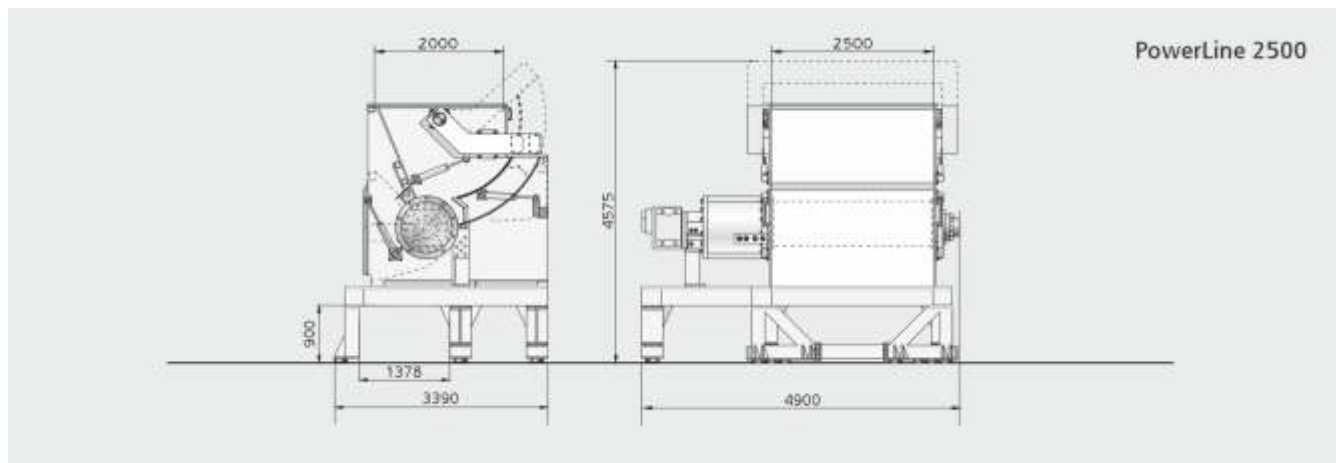
**Overview of PowerLine:**

- highly efficient universal shredding solution for a wide range of input material
- flexible, as it can be used in single or multi-stage processing
- particle sizes of 30 – 100 mm achievable
- multi-stage processing: operation as a secondary shredder with continuous feeding of input material
- single stage processing: direct feeding via wheel loader or gripper
- available with the extremely high performance CDW drive (compact drive) for the toughest requirements

Performance that pays: PowerLine in use



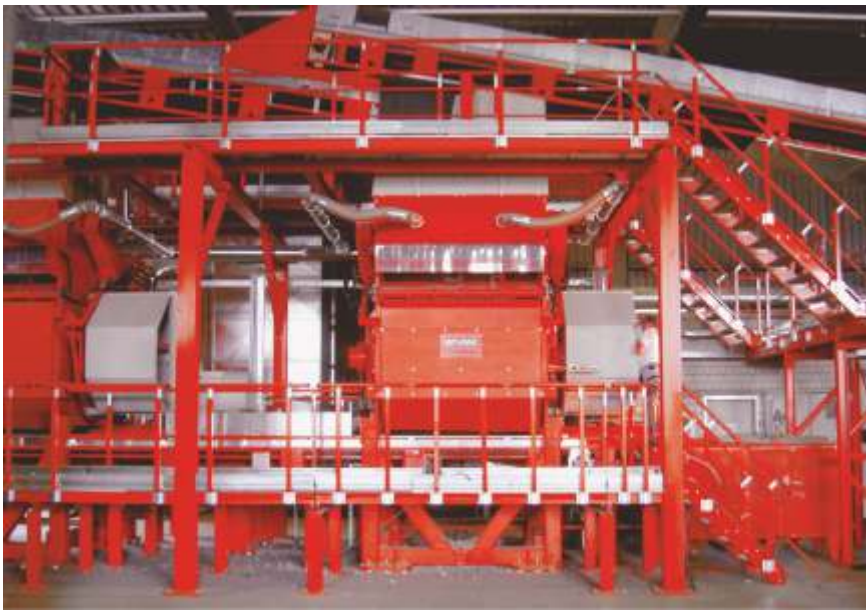
Minimum wear: the PowerLine rotor with blades that can be reversed a number of times.



The PowerLine range		WPL 2000/800	WPL 2500/800	WPL 3000/800
Rotor working width	(mm):	2,000	2,500	3,000
Rotor diameter	(mm):	800	800	800
Performance	(kW):	259	259 / 390	390
Rotor speed	(rpm):	100 - 140	100 - 140	100 - 140
Blade type/size**	(mm):	reversible crown 80 x 80	reversible crown 80 x 80	reversible crown 80 x 80
Number of blades:		69	87	108
Sieve perforation	(mm):	30 - 100	30 - 100	30 - 100
Throughput*	(kg/h):	3,000 - 8,000	4,000 - 12,000	5,000 - 15,000
Weight	(approx. kg):	25,000	30,000	35,000

\* depending on the material and particle size / \*\*other blade sizes and shapes deliverable

**Works out fine. FineCut. The high output secondary shredder.**



Core of the plant: the FineCut secondary shredder.



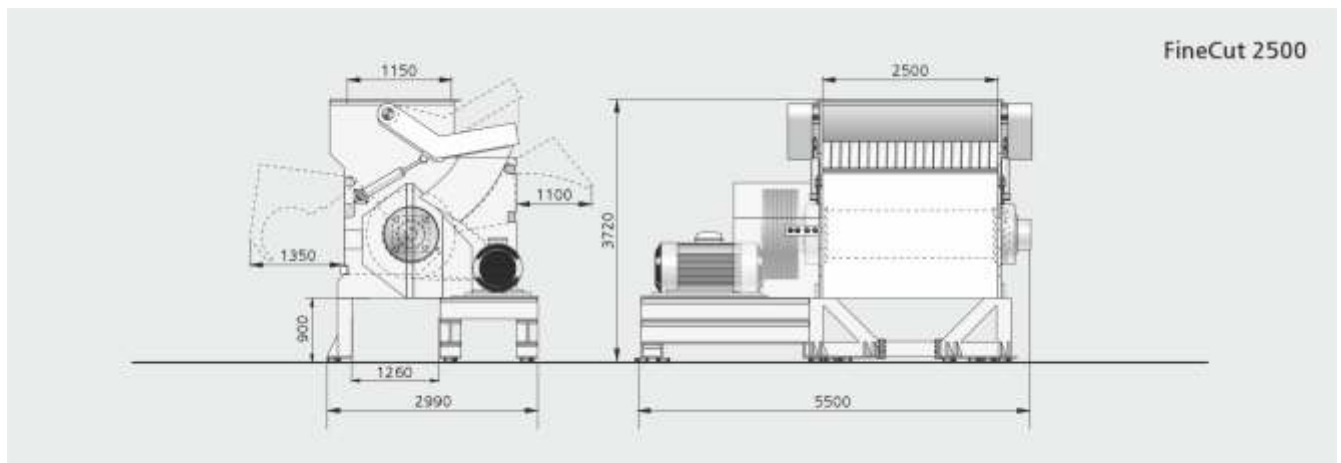
Aggressive intake behaviour: the FineCut rotor.

**Smallest particle size, best sales opportunities.**

FineCut is the ideal secondary shredding solution for a multi-stage plant. Impressive outputs can be achieved due to its high rotor speed. The fine particle size of the shredded material corresponds perfectly with the increasing demand for higher RDF qualities.

**Overview of FineCut:**

- high performance secondary shredder for multi-stage processing
- shreds pre-sorted or pre-shredded material with high throughput
- continuous material input via conveyor belt feeding
- particle sizes of 15–80 mm achievable
- the right machine to produce the best RDF quality for power stations and the cement industry



The FineCut range		WFC 2000/800	WFC 2500/800
Rotor working width	(mm):	2,000	2,500
Rotor diameter	(mm):	800	800
Performance	(kW):	200	315
Rotor speed	(rpm):	160 - 320	160 - 320
Blade type/size	(mm):	reversible plate 172 x 57	reversible plate 172 x 57
Number of blades:		66	70
Sieve perforation	(mm):	15 - 80	15 - 80
Throughput*	(kg/h):	3,000 - 8,000	5,000 - 12,000
Weight	(approx. kg):	25,000	30,000

\* depending on the material and particle size

Shredder in action. **The best thing that can happen to waste**



FineCut shredder with safety clutch (Spain)



Shredder PowerLine WPL 2500 with direct drive, Cedo (Netherlands)

Shredder in action. **The best thing that can happen to waste**



Shredder PowerLine with direct drive Saica (Spain)



Shredder Powerline WPL 3000, Lafarge El Sokhna (Egypt)



## Powerful technology inside. Perfect service all round.

### Well advised from the start.

With WEIMA shredding solutions you are banking on high performance technology and extensive service skills – already at the planning stage. Whether you are planning construction of a completely new plant or extension of your existing RDF facility: we support you with extensive advice and planning competence. The target: a plant concept tailor-made exactly to your requirements, with perfectly integrated components for all processing and shredding stages.

### Quality + Service = Security

High availability is the prerequisite for every efficiently working machine and therefore a principle at WEIMA. All shredders are robustly built and engineered. They are specifically designed for your maintenance requirements – such as the quick change of the blades and the removal of foreign objects. And should a problem still occur, you can rely on our fast reacting technical support team – around the clock!

### Why RDF producers choose WEIMA.

Shredding technology is the key to efficient RDF production. Leading RDF producers worldwide trust WEIMA – and they know why:

- tailor-made shredding solutions for all processing stages
- perfected technology for the production of best RDF quality
- high productivity, low energy and wear costs
- quality assurance due to 20,000 shredding solutions sold worldwide
- extensive service – from advice during planning through to aftersales technical support



Alba, Karlsruhe



Sperzel, Frankfurt



Lang, Gaggenau

### WEIMA Maschinenbau GmbH

Bustadt 6-10  
74360 Ilsfeld (Germany)  
Phone: +49-(0)70 62-95 70-0  
Fax: +49-(0)70 62-95 70-92  
info@weima.com  
www.weima.com

### Sales Offices in:

United Kingdom, Kent  
France, La Ferté s/s Jouarre  
Poland, Warsaw  
Moscow, Russia  
USA, Fort Mill, SC

