

Chain Belt Conveyor KG1 Steel Plate Conveyor PB1



Product specification

Chain belt conveyor KG1 / steel plate conveyor PB1

The proven Westeria module system was designed in order to be in the position to react to customer requirements quickly and flexibly. This unique system is designed for each and every market requirement.

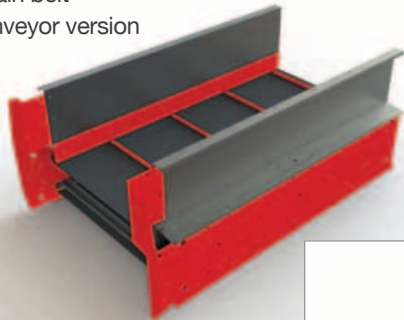
The range of applications includes the charging of shredder facilities in particular for scrap and construction waste treatment to the feeding of paper presses.

Westeria system plants combine utmost product quality "Made in Germany" with highly attractive prices. Nonetheless, it offers enough scope for the flexible and easy integration of special customer demands and requirements into existing systems.

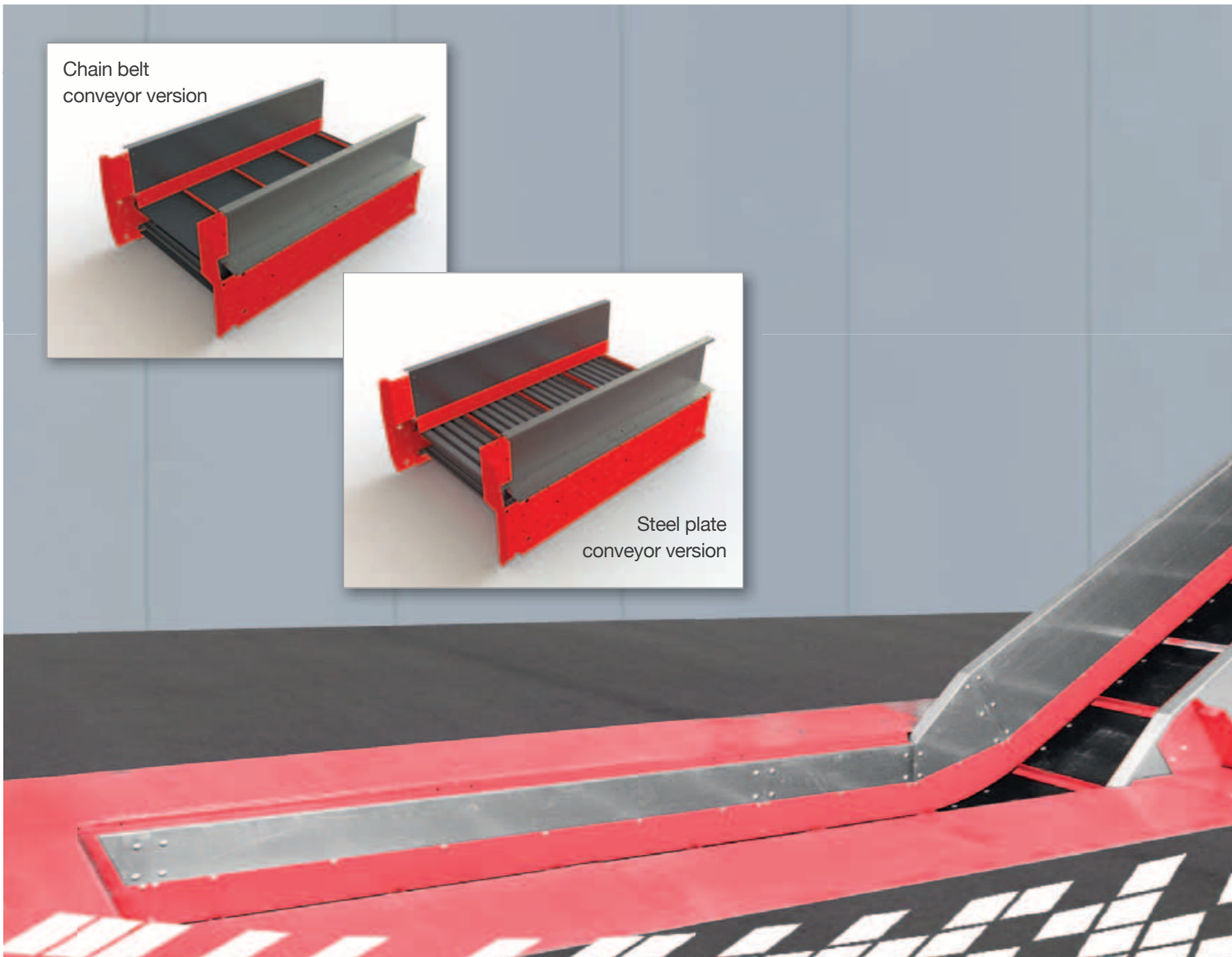
Do not hesitate to contact us! We will find a solution for your requirements!

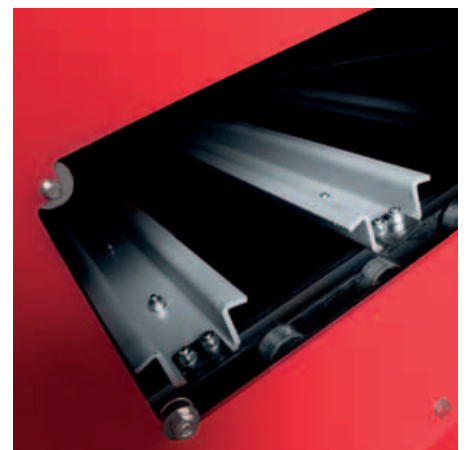
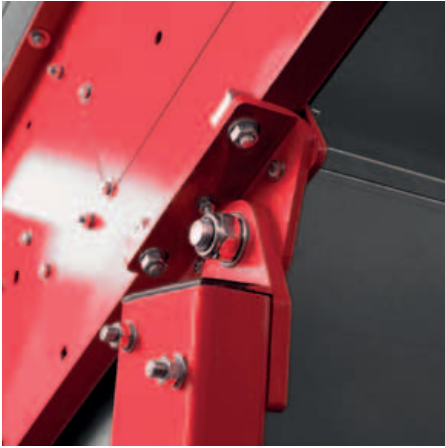


Chain belt
conveyor version



Steel plate
conveyor version





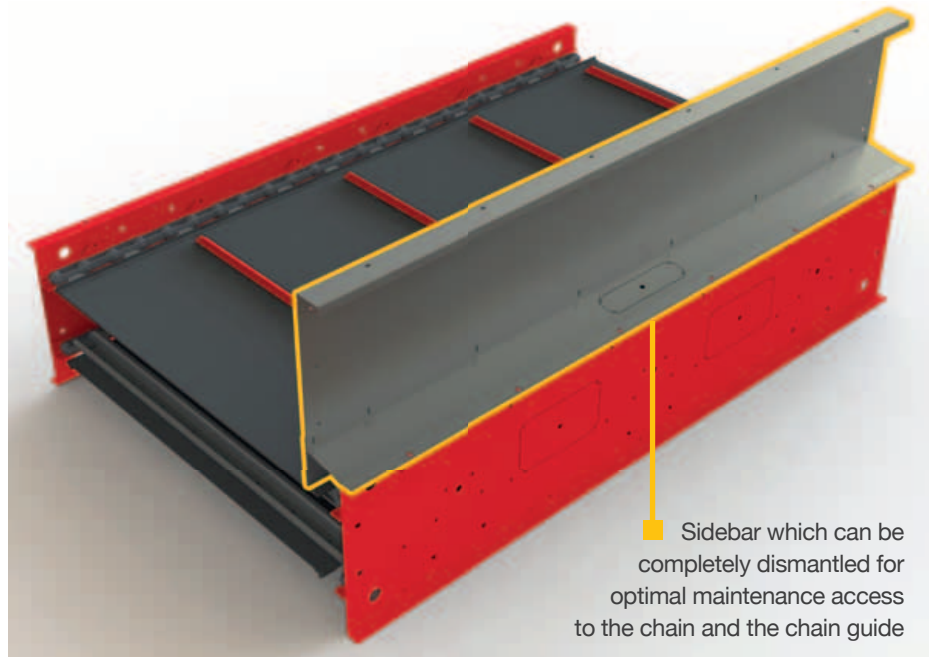
Benefits



- Modular construction allows for very short assembly times. Assembly of the whole press feed unit possible in one working day!
- Additional modifications to the length of the chain belt conveyor possible without welding and grinding.
- Replacement of chain wheels and shafts through the sides of the belt frame.
- Adjustable supports allow for a high degree of variability for local assembly.
- Pre-mounted bottom belt covering which can be separately dismantled for maintenance.

Concentrated loads caused by pit covers are not directly absorbed by the frame construction but by a specially designed rectangular profile. Thus, there is no need to separately relocate pit covers in case of excessive loads. The minimum distance between supporting structures is approx. 1000 mm.

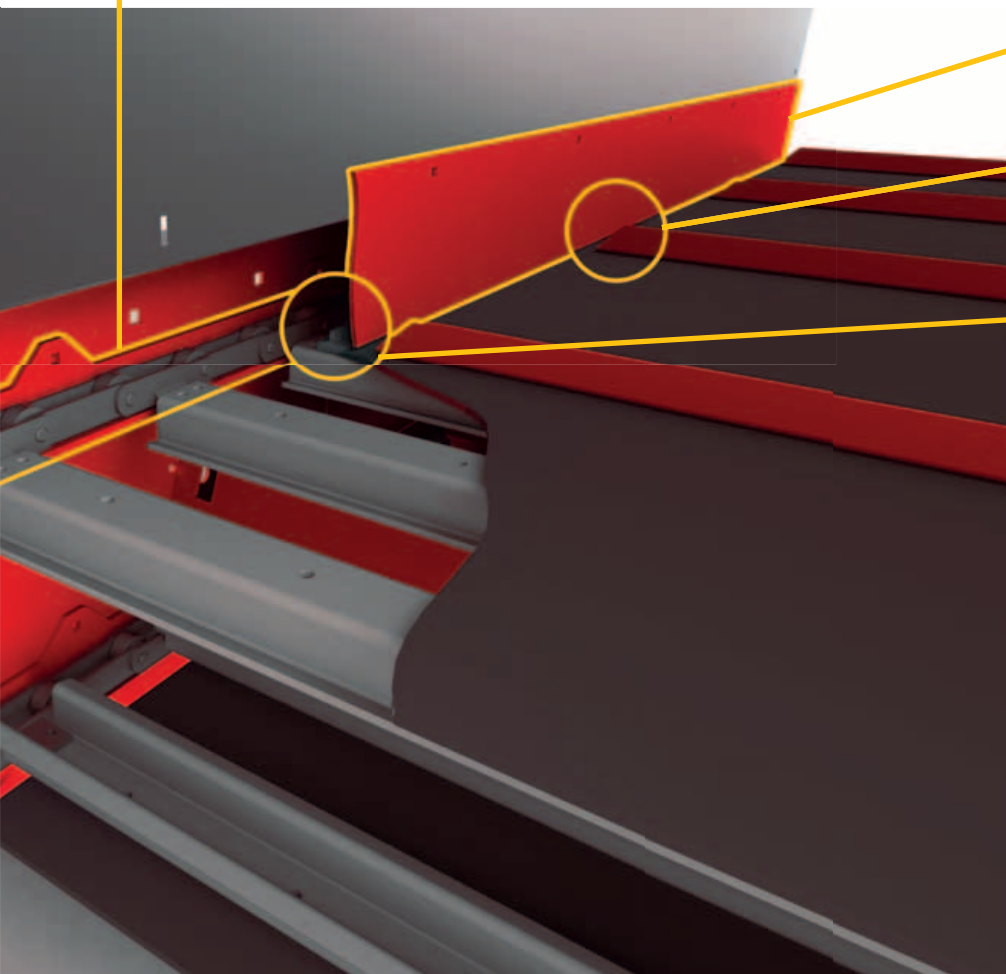




■ Sidebar which can be completely dismantled for optimal maintenance access to the chain and the chain guide

Komplett demontierbare
Seitenleisten für optimalen
Wartungszugang zur
Kettenführung und Kette

■ Screwed chain guide which is easy to replace



■ Adjustable material guide bars

■ No jamming of conveyed material at the outer wall due to conical carriers

■ Labyrinth sealing with circumferential stud strip for optimal sealing of the sides

Technical data

1. Frame construction

Base frame:

t = 6 lacquered

Sidebars:

t = 3 zinc-plated

Frame elements:

max. pitch: 2970 mm

Angular positions:

0° / 25° / 30° / 35° / 40° / -10°

Revision openings:

200 x 400 mm

Distance: 1500 mm

Longitudinal support with plastic profile:

one support in the center of the feeding section

2. Chains, chain wheels

KG 1 chain types:

FV 90 / FV 140 / FV 250

PB 1 chain types:

FV 90 / FV 140 / FV 250

Chain wheels:

7 teeth

Stock articles:

Ketten FV 90 / FV 140 / FV 250 chains



3. Shafts

Diameter of drive shaft:

70 mm / 80 mm / 100 mm

Diameter of deflector:

70 mm / 80 mm

Diameter of flange bearing:

70 mm / 80 mm / 100 mm

Shafts can be dismantled/assembled through the sides of the frame.

4. Material at the carrying side

KG belt qualities:

Rubber belt EP 400 / 3

Cover 4:2

circumferential 20 mm T stud strip

PB steel plate variant up to a plate width of 1200 mm:

Shaft profile t = 4

Shaft profile t = 8

Flat section with rubber sealing

Carrier:

Height: 50 mm

Pitch: 750 mm

5. Drive

Type of drive:

Flat gear / bevel gear

Make:

SEW

6. Pit cover

Material:

Stud plate

Support section for rectangular pipe

Fitting:

Angle sections to be fitted at the pit edge

Intermediate plate at the conveyor side

Covers are attached on-site

7. Bottom belt covering

Material:

zinc-plated t = 1.5, integrated in the frame
500mm pitch, can be dismantled separately



8. Supports

Distance in the horizontal section:

2970 mm

Height in the horizontal section:

1100 / 1500 / ... / 2500 mm

upper edge of belt

From H = 1500:

with cross bond in longitudinal and lateral direction

Self-supporting length:

max. 6000 mm

Supports at the ascending part:

H supports

Rectangular pipe

9. Accessories (optional)

Emergency switch-off cord:

Type ZQ 900

lateral and in the center

Speed monitor:

Type DI 5004

Drip feed lubricator:

Type Elmatic, electrical

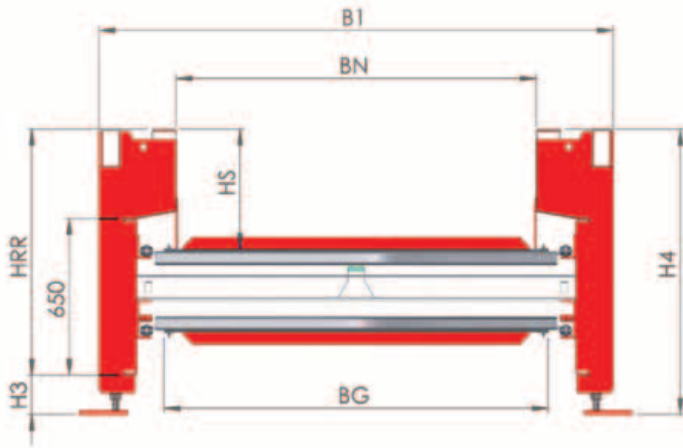
Transfer chutes:

adjusted

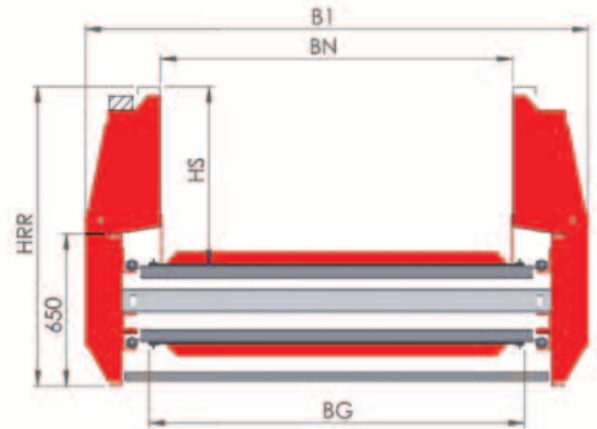
Cleaning systems:

Spillage chutes

Dimension sheet



Cross-section for pit set-up



Cross-section of ascending part

Widths

Group	1, 2, 3		1	2	3
	BG	BN	B1	B1	B1
	1100	1000	1642	1672	1762
	1300	1200	1842	1872	1962
	1500	1400	2042	2072	2162
	1600	1500	2142	2172	2262
	1850	1750	2392	2422	2512
	2000	1900	2542	2572	2662

B1 widths depend on chain type; therefore we have 3 groups:

Group 1: FV90 chain

Group 2: FV140 chain

Group 3: FV250 chain

Heights

Group	1, 2, 3	
	HS	HR
	300	822.5
	500	1022.5
	750	1275.5
	1000	1522.5
	1250	1772.5

Foot heights

Group	1, 2, 3	
	H3	H4
	0	1050
	162.5	1200
	262.5	1300
	362.5	1400

Westeria conveys values

Production, logistics, recycling – when it comes to conveying piece goods or bulk goods, or the separation and sorting of mixed materials, special solutions are required: economical, adequate, long-lasting reliable, individually tailored to special requirements.



eFACTORTHREE

11540 North Community House Road
Corporate Villa Suite C-250
Charlotte, NC 28277

T+ 1.704.944.3232
T+ 1.877.801.3232
F+ 1.704.944.3234

www.efactor3.com

