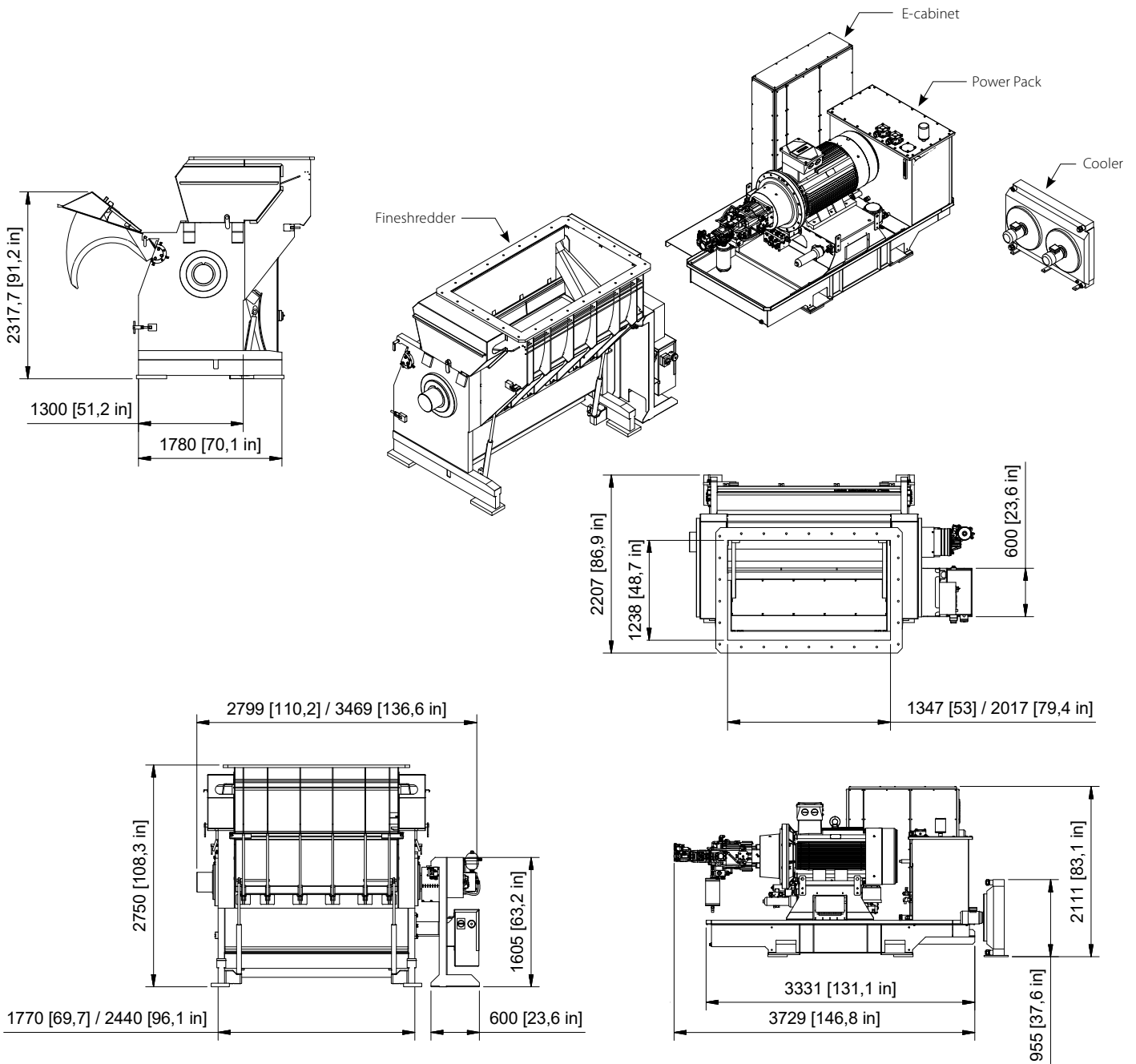


# M&J F210

FineShredder from M&J Recycling





Specification		
Overall dimensions without hopper (LxWxH)	mm	2207 x 3469 x 2750
Weight total	ton	16,0
Standard colour	RAL	7011, 9002
Assembly of knives on the knife holder		Bolted
Knives info		
Number pr shaft	pcs	108/216
WSC 40	mm	40 x 40 x 12

**Capacity per hour** – Input material: <300 mm - presorted - continues feeding. Guide values only.

Up to 16 ton (90% below 50 mm)

## M&J F210



We aim to make your everyday life hassle-free. The M&J F210 is so strongly designed that it requires minimal maintenance

Low energy consumption, minimal daily servicing, and easy maintenance. It's all good news for your operating budget with the M&J F-series for alternative fuel production like RDF/SRF

The M&J F210 is the epitome of a well-thought-out design. The focal point is high reliability and fast and easy service, so that downtime is limited to an absolute minimum

Minimal maintenance. Unique cutting system. Less heat generation. Expect the highest uptime on the market

Thanks to the leading cutting technology of the M&J F210, you get homogeneous output with minimal heat generation and limited fine particles

At the heart of the M&J F210 is the unique and highly efficient cutting system. It does all the work without you having to do any daily adjustment

Different screen size options allow for different grain sizes – all the way down to Ø10 mm. The M&J F210 takes flexibility and versatility to a new level



<b>Rotor</b>		
Number of rotor	pcs	1
Length rotor	mm	2020
Diameter rotor	mm	665
Number of knives	pcs	280
Standard rotating speed	rpm	100-280
<b>Power pack</b>		
Overall dimensions (LxWxH)	mm	3331 x 1470 x 1488
Weight total (incl oil and main cabinet)	ton	5.5
Service area minimum recommended	mm	1000
Cooling capacity	kW	60
Effect	kW	250
Drive principle		Hydrostatic transmission



## eFACTORTHREE



eFACTOR3 LLC  
15050 Choate Circle  
Suite E  
Charlotte, NC 28273

P 704-944-3232  
877-801-3232  
F 704-944-3234  
[www.efactor3.com](http://www.efactor3.com)  
[sales@efactor3.com](mailto:sales@efactor3.com)

[MJRECYCLING.COM](http://MJRECYCLING.COM)

M & J | Vejlevej 5 | DK-8700 Horsens | Tel: +45 7626 6400 | [sales@mjrecycling.com](mailto:sales@mjrecycling.com)

The information in this document is provided for guidance only and as is without warranty of any kind, either express or implied, including but not limited to the implied warranties of merchantability, fitness for a particular purpose or non-infringement. Information in this document may include information not appropriate to specific configurations, or information which has not been updated. M&J Recycling has the right to make changes in the document without notice. Not all products or services are available in all countries. In no event shall M&J Recycling be liable for any damages. We reserve the right to make changes and improvements without notice.  
"M&J F210, UK". M&J Recycling, september 2021.